

# WORKTOP PIT CART

Aluminum Cabinets and Carts For Shop, Trailer & Track

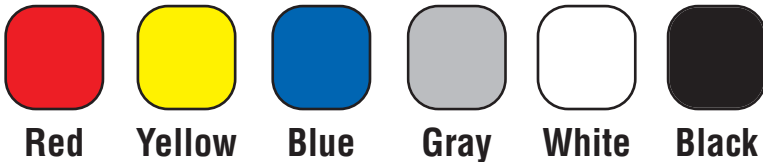


## Our Most Popular Cart Featuring...

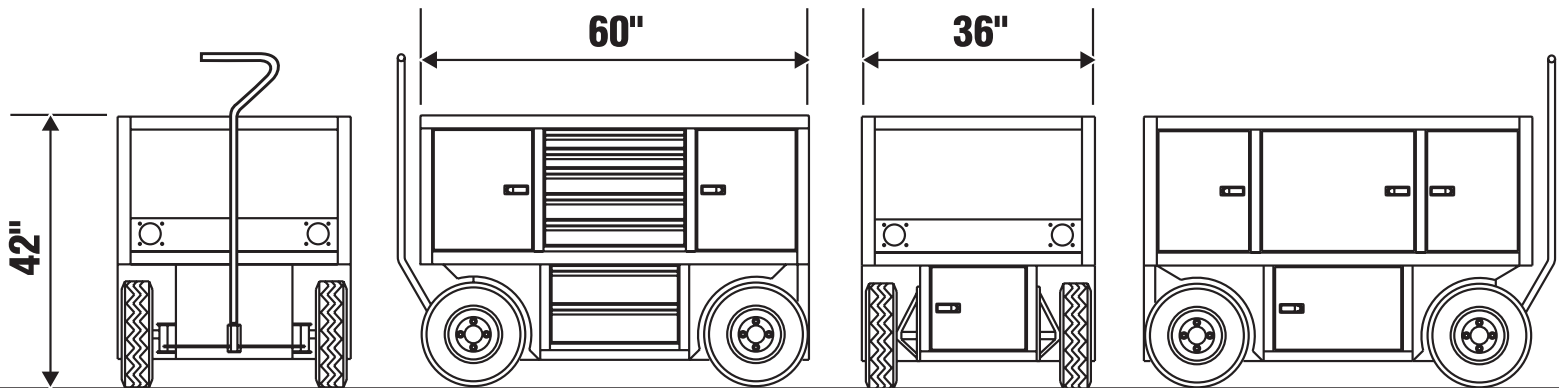


- Sturdy and Lightweight All Aluminum Construction
- Tough Powdercoat Finish
- Reinforced 1/8" Brushed Aluminum Worktop Surface
- Extruded Aluminum Radius Corners
- Seven MotionLatch™ Drawers
- Built In "D" Ring Tie-Downs
- Steering Linkage w/Built-In Negative Caster
- Heavy Duty Chassis Design
- 8" Polished Aluminum Wheels and Pneumatic Tires
- Heavy Gauge Doors w/ Bonded Inner Panels
- Lock Down Adjustable Shelves
- Optional Hydraulic Disk Brakes
- Other Sizes and Options Available

Standard Colors Custom Colors Available Upon Request



Red Yellow Blue Gray White Black



Due to continuing product development, CTECH reserves the right to change product specifications without notice.



7501 Commerce Drive • Weston, WI 54476 • 715-355-8842 • [www.racecabinet.com](http://www.racecabinet.com)